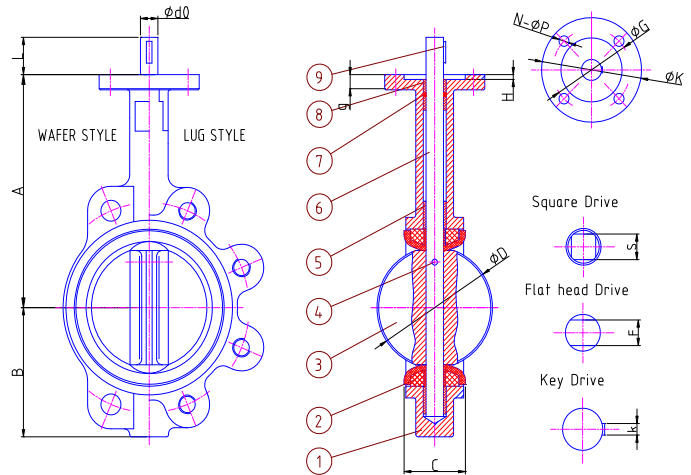


CAST IRON OR DUCTILE IRON WAFER/LUG BUTTERFLY VALVE

DESIGN DESCRIPTION:

- Design:
 - ◆ API609, ◆ MSS SP-67,
 - ◆ BS 5155, ◆ BS EN593;
- Face To Face:
 - ◆ API609, ◆ MSS SP-67,
 - ◆ BS 5155, ◆ BS EN558 ;
- Flange:
 - ◆ ANSI B16.5 125LBS,
 - ◆ DIN2501,
 - ◆ BS4504,
 - ◆ BS10D&E,
 - ◆ JIS 10K;
- Actuator Mounting PAD: ISO 5211
- Centre contraction;
- Phenolic(Alumin) backed Seat;
- Available Lining NBR/EPDM/CSM/FPM or U-TYPE Seat;
- Available Nylon or PTFE Or Paint Coating Disc
- Material and Working Temp.:
 - ◆ Cast Iron and Ductile Iron: 0 °C-200 °C(32 °F-392 °F)
 - ◆ Buna-N: -12 °C-82 °C(10.5°F-179°F)
 - ◆ EPDM: -45 °C-135 °C(-49°F-275°F)
 - ◆ CSM/Hypalon: -18 °C-135 °C(0°F-275°F)
 - ◆ FPM/Viton: -12 °C-150 °C(10.5°F-302°F)



PARTS AND MATERIAL:

NO	PARTS NAME	MATERIAL
1	BODY	ASTM A-126-B,A536,A216-WCB,A351-CF8/CF8M
2	SEAT	HYPALON,EPDM,NBR,VITON,PTFE,NEOPRENE, SILICONE
3	DISC	ASTM A536,NYLONG COATING,A351-CF8/CF8M,ASTM B148
4	PIN	ASTM A182-F304/F316/410,MONEL K500
5	BUSHING	PTFE OR BRONZE
6	STEM	ASTM A182-F304/F316/410,MONEL K500
7	O-RING	HYPALON,EPDM,NBR,VITON,PTFE,NEOPRENE
8	SHORT BUSHING	PTFE OR BRONZE
9	KEY	CARBON STEEL

OTHER MATERIALS ARE AVAILABLE UPON REQUEST

DIMENSIONS LIST(UNIT:MM):

SIZE	A	B	C	D	d0	F	ISO5211	L	K	G	N-P	S	H	g
2"	161	80	42	52.9	12.6	10	F07	32	90	70	4-9	9	4	12
2-1/2"	175	89	45.8	64.5	12.6	10	F07	32	90	70	4-9	9	4	13
3"	181	95	45.8	78.8	12.6	10	F07	32	90	70	4-9	9	4	13
4"	200	114	52	104	15.8	12	F07	32	90	70	4-9	11	4	13
5"	213	127	55	123	18.9	14	F07	32	90	70	4-9	14	4	14
6"	226	139	55.8	155	18.9	14	F07	32	90	70	4-9	14	4	14
8"	260	175	61.6	203	22.1	17	F10	45	125	102	4-12	17	4	15
10"	292	203	67.2	251	28.5	22	F10	45	125	102	4-12	22	4	15
12"	337	242	76.9	302	31.6	24	F10	45	140	102	4-12	22	4	20
14"	368	267	76.5	333	31.6	24	F10	45	140	102	4-12	22	4	20
16"	400	309	86.5	390	33.2		F14	52	197	140	4-18	9	4	22
18"	422	328	106	441	38		F14	52	197	140	4-18	9	4	22
20"	480	361	132	492	41.2		F14	65	197	140	4-18	9	4	24
24"	592	459	152	593	50.7			82	276	165	4-22		6	24
28"	624	520	163	695	63.4			88	300	254	8-18		6	30
32"	672	591	188	795	63.4			88	300	254	8-18		6	30
36"	720	656	203	865	75			118	300	254	8-18		6	35
40"	800	722	216	965	85			141	300	254	8-18		6	35
48"	940	864	276	1160	105			150	350	298	8-22		6	38

✧ We hereby reserve the rights of any alternative dimension that would help to improve our valve's quality and working efficiency.