

**CAST IRON OR DUCTILE IRON
SWING CHECK VALVE**

DESIGN DESCRIPTION:

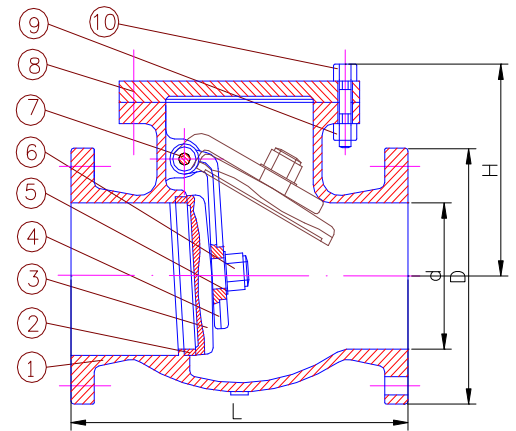
- Design: MSS SP-71;
- Manufacture: Factory STD;
- Face To Face: ANSI B16.10
- Flange: ANSI B16.1,JIS 2212;
- Bolt Cover;
- Swing Arm;
- Available With Lever Weight.
- Metal Seal or Soft Seal;
- Material and Working Temp.:
 - ◆ Cast Iron and Ductile Iron: 0 °C-200 °C(32°F -392°F)
 - ◆ Brass or Bronze seal: 0 °C-100 °C(32°F -212°F)
 - ◆ Buna-N: 0 °C-71 °C(160°F) Maximum
 - ◆ EPDM: 0 °C-80 °C(176°F) Maximum



PARTS AND MATERIAL:

NO	PARTS NAME	MATERIALS
1	BODY	ASTM A126-B/A536
2	DISC	ASTM A126-B/A536+EPDM/NBR/BRASS/BRONZE
3	SEAT	BRASS/BRONZE
4	SWING ARM	ASTM A126-B/A536
5	WASHER	ASTM A107-1020
6	DISC NUT	ASTM A107-1020
7	PIN	2CR13
8	COVER	ASTM A126-B/A536
9	COVER STUD	ASTM A107-1020
10	COVER NUT	ASTM A107-1020

OTHER MATERIALS ARE AVAILABLE UPON REQUEST.



DIMENSIONS LIST(UNIT:MM):

SIZE	DN	d	H	L	D	K
1-1/2"	40	1-1/2"	5"	6-1/2"	5"	3-7/8"
2"	50	2"	5-1/8"	8"	6"	4-3/4"
2-1/2"	65	2-1/2"	5-1/3"	8-1/2"	7"	5-1/2"
3-1/4"	80	3-1/4"	6"	9-1/2"	7-1/2"	6"
4"	100	4"	7-1/3"	11-1/2"	9"	7-1/2"
5"	125	5"	7-3/4"	13"	10"	8-1/2"
6"	150	6"	9-1/5"	14"	11"	9-1/2"
8"	200	8"	11-1/4"	19-1/2"	13-1/2"	11-3/4"
10"	250	10"	12"	24-1/2"	16"	14-1/4"
12"	300	12"	13-7/8"	27-1/2"	19"	17"
14"	350	14"	15-7/8"	31"	21"	18-3/4"

✧ We hereby reserve the rights of any alternative dimension that would help to improve our valve's quality and working efficiency.