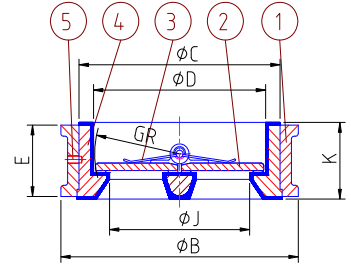
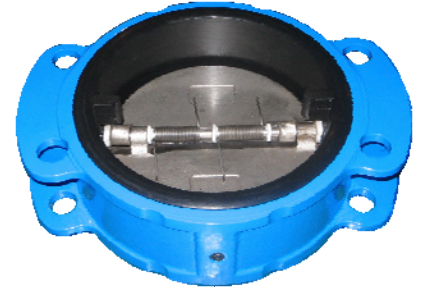


## CAST IRON OR DUCTILE IRON DUO PLATE WAFER CHECK VALVE

### DESIGN DESCRIPTION:

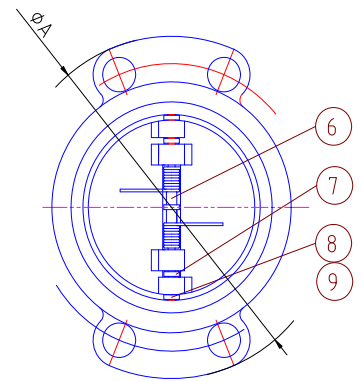
- Design: API594, DIN3352;
- Manufacture: API594, DIN3352;
- Face To Face: API 594, DIN3202-K3
- Flange: ANSI B16.1, DIN 2532/2533;
- Soft Seal;
- Material and Working Temp.:
  - ◆ Cast Iron and Ductile Iron: 0 °C-200 °C(32 °F -392 °F)
  - ◆ Buna-N: 71 °C(160 °F) Maximum
  - ◆ EPDM: 80 °C(176 °F) Maximum
  - ◆ CSM/Hypalon: -18 °C-135 °C(0 °F-275 °F)
  - ◆ FPM/Viton: -12 °C-150 °C(10.5 °F-302 °F)



### PARTS AND MATERIAL:

NO	PARTS NAME	MATERIALS
1	BODY	ASTM A126-B/A536, DIN GG25/GGG40
2	DISC	A536/GGG40, A351-CF8/CF8M, B148
3	SPRING	SS304, SS316, INCONEL 750X
4	INSERT BODY	ASTM A126-B/A536, DIN GG25/GGG40 LINING EPDM/NBR
5	BOLT	STAINLESS STEEL
6	PIN	ASTM A182-F304/F316/410, MONEL K500
7	WASHER	PTFE
8	PACKING	PTFE
9	BOLT	STAINLESS STEEL

OTHER MATERIALS ARE AVAILABLE UPON REQUEST.



### DIMENSIONS LIST(UNIT:MM):

	A	B	C	D	GR	J	E	F
DN50	158.75	101.6	84.14	66.68	28.58	47.63	52.39	54
DN65	177.8	120.65	98.43	79.38	36.51	58.74	25.39	54
DN80	190.5	133.35	115.89	92.08	41.28	69.85	25.39	54
DN100	234.95	171.45	142.88	117.48	53.98	87.31	61.91	63.5
DN125	269.88	193.68	171.45	144.46	67.47	112.71	65.09	66.7
DN150	304.8	222.25	200.03	171.45	80.17	141.29	77.79	79.4
DN200	368.3	269.88	254	222.25	105.57	192.09	96.84	98.4
DN250	428.63	336.55	307.98	276.23	130.18	230.19	100.01	102
DN300	495.3	406.4	365.13	327.03	158.75	274.64	128.59	130
DN350	571.5	447.68	396.88	358.78	171.45	306.39	177.8	181
DN400	631.83	511.18	450.85	409.58	196.85	355.6	158.75	162
DN450	641.35	546.1	508	460.37	222.75	406.14	180.97	184
DN500	698.5	596.9	555.62	511.17	247.65	469.9	212.72	216
DN600	819.15	714.37	657.22	612.77	298.45	565.15	212.72	216

✧ We hereby reserve the rights of any alternative dimension that would help to improve our valve's quality and working efficiency.