

CAST IRON OR DUCTILE IRON SWING CHECK VALVE

DESIGN DESCRIPTION:

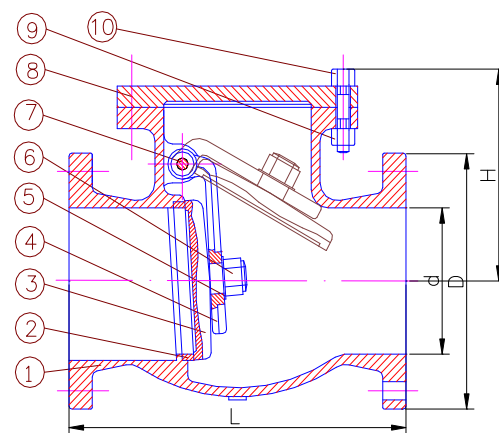
- Design: BS5163,BS4090;
- Manufacture: Factory STD;
- Face To Face: BS5163,BS4090;
- Flange: BS 4504 OR TALBE E OR D;
- Bolt Cover;
- Swing Arm;
- Available With Lever Weight.
- Metal Seal or Soft Seal;
- Material and Working Temp.:
 - ◆ Cast Iron and Ductile Iron: 0 °C-200 °C(32°F -392°F)
 - ◆ Brass or Bronze seal: 0 °C-100 °C(32°F -212°F)
 - ◆ Buna-N: 0 °C-71 °C(160°F) Maximum
 - ◆ EPDM: 0 °C-80 °C(176°F) Maximum



PARTS AND MATERIAL:

NO	PARTS NAME	MATERIALS
1	BODY	ASTM A126-B/A536
2	DISC	ASTM A126-B/A536+EPDM/NBR/BRASS/BRONZE
3	SEAT	BRASS/BRONZE
4	SWING ARM	ASTM A126-B/A536
5	WASHER	ASTM A107-1020
6	DISC NUT	ASTM A107-1020
7	PIN	2CR13
8	COVER	ASTM A126-B/A536
9	COVER STUD	ASTM A107-1020
10	COVER NUT	ASTM A107-1020

OTHER MATERIALS ARE AVAILABLE UPON REQUEST.



DIMENSIONS LIST(UNIT:MM):

SIZE	DN	d	H	L	D
1-1/2"	40	1-1/2"	5"	6-1/2"	6"
2"	50	2"	5-1/8"	8"	6-1/2"
2-1/2"	65	2-1/2"	5-1/3"	8-1/2"	7-3/10"
3"	80	3-1/4"	6"	9-1/2"	7-9/10"
4"	100	4"	7-1/3"	11-1/2"	8-7/10"
5"	125	5"	7-3/4"	13"	10"
6"	150	6"	9-1/5"	14"	11"
8"	200	8"	11-1/4"	19-1/2"	13-4/5"
10"	250	10"	12"	24-1/2"	15-1/2"
12"	300	12"	13-7/8"	27-1/2"	17-1/2"
14"	350	14"	15-7/8"	31"	

✧ We hereby reserve the rights of any alternative dimension that would help to improve our valve's quality and working efficiency.