

**CAST IRON OR DUCTILE IRON  
RISING STEM GATE VALVE BOLTED BONNET**

**DESIGN DESCRIPTION:**

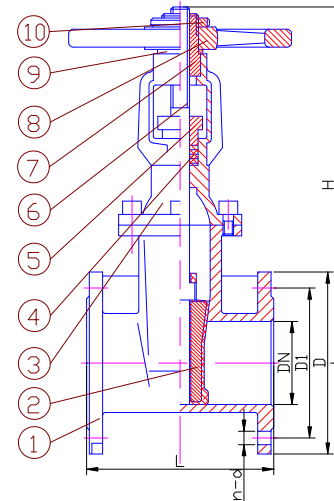
- Design: AWWAC509-94;
- Manufacture: Factory STD;
- Face To Face: ANSI B16.10
- Flange: ANSI B16.1;
- Bolt Bonnet;
- Soft Seal;
- Material and Working Temp.:
  - ◆ Cast Iron and Ductile Iron: 0 °C-200 °C(32°F -392°F)
  - ◆ Buna-N: 0 °C-71 °C(160°F) Maximum
  - ◆ EPDM: 0 °C-80 °C(176°F) Maximum



**PARTS AND MATERIAL:**

NO.	PART NAME	MATETIAL
1	Body	ASTM A126-B/A536,DIN GG25/GGG40
2	Disc	Ductile iron with NBR/EPDM
3	Bonnet	ASTM A126-B/A536,DIN GG25/GGG40
4	Stem packing	NBR OR Graphit
5	Gland	ASTM A126-B/A536,DIN GG25/GGG40
6	Stem	Stainless steel
7	Stem nut	Brass
8	Handwheel	Cast iron or Ductile iron
9	Nut holder	Cast iron or Ductile iron
10	H.w.nut	Carbon steel

OTHER MATERIALS ARE AVAILABLE UPON REQUEST



**DIMENSIONS LIST(UNIT:MM):**

Size	2 "	2 1/2 "	3 "	4 "	5 "	6 "	8 "	10 "	12 "	14"	16"	18"	20"	24"
L	178	190	203	229	254	267	292	330	356	381	406	432	457	508
H	290	340	390	460	530	575	770	920	1040	1160	1280	1420	1580	1760
Class 125LBS														
D	152	178	191	229	254	279	343	406	483	533	597	635	699	813
n	4	4	4	8	8	8	8	12	12	12	16	16	20	20
d	19	19	19	19	22	22	22	25	25	29	29	32	32	35
D1	120.5	139.5	152.5	190.5	216	241.5	298.5	362	432	476	539.5	577.9	635	749.5
Class 150LBS														
D	152	178	191	229	254	279	343	406	483	533	597	635	699	813
n	4	4	4	8	8	8	8	12	12	12	16	16	20	20
d	19	19	19	19	22	22	22	25	25	29	29	32	32	35
D1	120.5	139.5	152.5	190.5	216	241.5	298.5	362	432	476	539.5	577.9	635	749.5

✧ We hereby reserve the rights of any alternative dimension that would help to improve our valve's quality and working efficiency.