

**CAST IRON OR DUCTILE IRON
RISING STEM GATE VALVE BOLTED BONNET**

DESIGN DESCRIPTION:

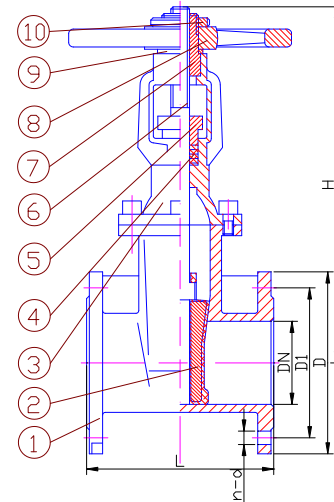
- Design: BS5163;
- Manufacture: Factory STD;
- Face To Face: BS5163
- Flange: BS4504, BS10/16 D/E;
- Bolt Bonnet;
- Soft Seal;
- Material and Working Temp.:
 - ◆ Cast Iron and Ductile Iron: 0 °C-200 °C(32°F -392°F)
 - ◆ Buna-N: 0 °C-71 °C(160°F) Maximum
 - ◆ EPDM: 0 °C-80 °C(176°F) Maximum



PARTS AND MATERIAL:

NO.	PART NAME	MATERIAL
1	Body	ASTM A126-B/A536, DIN GG25/GGG40
2	Disc	Ductile iron with NBR/EPDM
3	Bonnet	ASTM A126-B/A536, DIN GG25/GGG40
4	Stem packing	NBR OR Graphit
5	Gland	ASTM A126-B/A536, DIN GG25/GGG40
6	Stem	Stainless steel
7	Stem nut	Brass
8	Handwheel	Cast iron or Ductile iron
9	Nut holder	Cast iron or Ductile iron
10	H.w.nut	Carbon steel

OTHER MATERIALS ARE AVAILABLE UPON REQUEST



DIMENSIONS LIST(UNIT:MM):

DN	40	50	65	80	100	125	150	200	250	300	350	400	450	500	600
L	165	178	190	203	229	254	267	292	330	356	381	406	432	457	508
H	250	290	340	390	460	530	575	770	920	1040	1160	1280	1420	1580	1760
PN10															
D	150	165	185	200	220	250	285	340	395	445	505	565	615	670	780
n	4	4	4	4	8	8	8	8	12	12	16	16	20	20	20
d	19	19	19	19	19	19	23	23	23	23	23	27	26	27	30
D1	110	125	145	160	180	210	240	295	350	400	460	515	565	620	725
PN16															
D	150	165	185	200	220	250	285	340	400	455	520	580	640	715	770
n	4	4	4	8	8	8	8	12	12	12	16	16	20	20	20
d	19	19	19	19	19	19	23	23	28	28	28	31	31	34	37
D1	110	125	145	160	180	210	240	295	355	410	470	525	585	650	770

✧ We hereby reserve the rights of any alternative dimension that would help to improve our valve's quality and working efficiency.