

**CAST IRON OR DUCTILE IRON
NON-RISING STEM GATE VALVE BOLTED BONNET**

DESIGN DESCRIPTION:

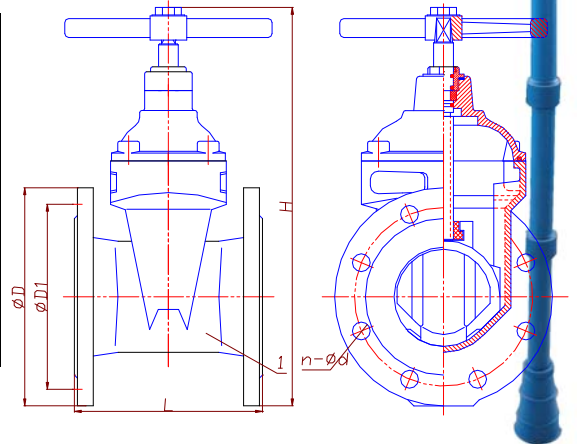
- Design: DIN3352;
- Manufacture: Factory STD;
- Face To Face: DIN3202-F4
- Flange: DIN2531/2532/2533;
- Bolt Bonnet;
- Soft Seal;
- Material and Working Temp.:
 - ◆ Cast Iron and Ductile Iron: 0 °C-200 °C(32°F -392°F)
 - ◆ Buna-N: 0 °C-71 °C(160°F) Maximum
 - ◆ EPDM: 0 °C-80 °C(176°F) Maximum



PARTS AND MATERIAL:

NO.	PARTS NAME	MATERIALS
1	BODY	ASTM A126-B/A536,DIN GG25/GGG40
2	DISC	Ductile iron with NBR/EPDM
3	STEM NUT	BRASS
4	STEM	2CR13/BRASS
5	BONNET	ASTM A126-B/A536,DIN GG25/GGG40
6	HAND WHEEL	CAST IRON OR DUCTILE IRON
7	GLAND	BRASS
8	O-RING	EPDM
9	O-RING	EPDM
10	MATEL O-RING	CAST STEEL

OTHER MATERIALS ARE AVAILABLE UPON REQUEST.



DIMENSIONS LIST(UNIT:MM):

DN	50	65	80	100	125	150	200	250	300	350	400	450	500	600
Size	2"	2-1/2"	3"	4"	5"	6"	8"	10"	12"	14"	16"	15"	20"	24"
L	150	170	180	190	200	210	230	250	270	290	310	330	350	390
H	240	270	300	330	375	425	515	600	685	755	835	880	960	1120
PN10														
D	150	165	185	200	220	250	285	340	395	445	505	565	615	670
n	4	4	4	4	8	8	8	8	12	12	16	16	20	20
d	18	18	18	18	18	18	22	22	22	22	26	26	26	30
D1	110	125	145	160	180	210	240	295	350	400	460	515	565	620
PN16														
D	150	165	185	200	220	250	285	340	405	460	520	580	640	715
n	4	4	4	8	8	8	8	12	12	16	16	20	20	20
d	18	18	18	18	18	18	22	22	26	26	26	30	30	33
D1	110	125	145	160	180	210	240	295	355	410	470	525	585	650

✧ We hereby reserve the rights of any alternative dimension that would help to improve our valve's quality and working efficiency.