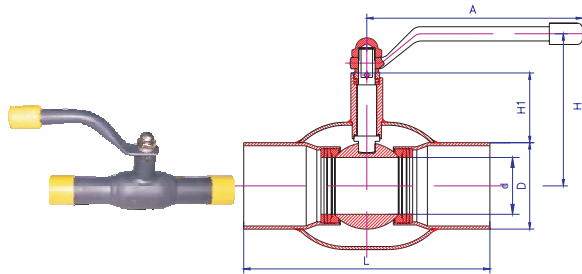


DIN PN16-PN40 Full Welding Floating Ball Valve



Standards:

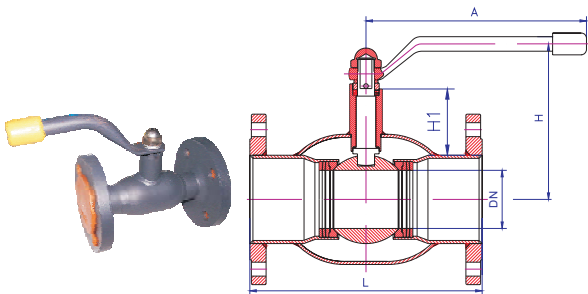
Design: Manufacture STD
 Face to Face: Manufacture STD
 BW: ASME B16.25
 Test and Inspect: API 598
 PN40 ≤ DN50
 PN25 ≥ DN65

Main Part Name and Material:

Body/Cap	Carbon Steel/Stainless Steel
Disc Seal	SS304/SS316
Seat Seal	PTFE+20%C
Stem	SS301/SS304/SS316

DN	15	20	25	32	40	50	65	80	100	125	150	200	250	300	350	400	500	600
NPS	1/2"	3/4"	1"	1-1/4"	1-1/2"	2"	2-1/2"	3"	4"	5"	6"	8"	10"	12"	14"	16"	20"	24"
d	10	15	20	25	32	40	50	65	80	100	125	150	200	250	300	350	400	500
D	21	27	34	42	48	60	76	89	114	140	168	219	273	324	356	406	508	610
L	230	230	230	260	260	300	300	300	325	325	350	400	530	550	650	760	914	1067
H	100	100	105	105	125	130	180	190	220	245	265	273	345	572	697	764	810	973
H1	40	40	40	39	59	59	71	77	92	95	103	123	122	155	187	221	211	259
H1(EX)	-	-	350	350	350	350	350	350	350	350	350	350	-	-	-	-	-	-
W	120	120	160	160	190	190	280	280	280	420	600	870	1200	280*	325*	466*	466*	466*

DIN PN16-PN40 Full Welding Floating Ball Valve



Standards:

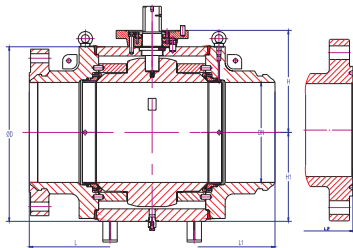
Design: Manufacture STD
 Face to Face: Manufacture STD
 Flange: ANSI B16.5
 Test and Inspect: API 598
 PN40 ≤ DN50
 PN25 ≥ DN65

Main Part Name and Material:

Body/Cap	Carbon Steel/Stainless Steel
Disc Seal	SS304/SS316
Seat Seal	PTFE+20%C
Stem	SS301/SS304/SS316

DN	15	20	25	32	40	50	65	80	100	125	150	200	250	300	350	400
NPS	1/2"	3/4"	1"	1-1/4"	1-1/2"	2"	2-1/2"	3"	4"	5"	6"	8"	10"	12"	14"	16"
d	10	15	20	25	32	40	50	65	80	100	125	150	200	250	300	350
L	130	150	160	180	200	230	270	280	300	325	350	400	530	630	690	762
H	100	100	105	105	125	130	180	190	220	245	265	273	345	572	697	764
H1	40	40	40	39	59	59	71	77	92	95	103	123	122	155	187	221
W	120	120	160	160	190	190	280	280	280	420	600	870	1200	280*	325*	466*

ANSI Class150-900 Full Welding Ball Valve WB1



Standards:

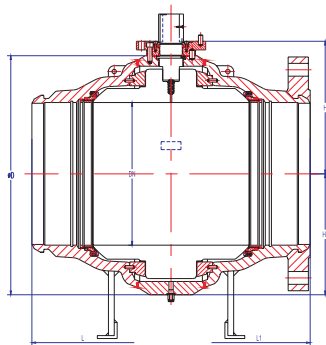
Design: API6D
 Face to Face: ANSI B16.10
 Flange: ANSI B16.5 AND API605
 BW: ASME B16.25
 Test and Inspect: API 598 OR API6D

Main Part Name and Material:

Body/Bonnet	Carbon Steel/Alloy Steel/Stainless Steel
Disc Seal	13CR/STL/SS304/SS316
Seat Seal	R-PTFE/Lylon/Peek
Stem	F6a/F304/F316

Class	DN	150	200	250	300	350	400	450	500	550	600	650	700	750	800
	NPS	6"	8"	10"	12"	14"	16"	18"	20"	22"	24"	26"	28"	30"	32"
150	L	457	521	559	635	762	838	914	991	1092	1143	1245	1346	1397	1524
	L1	457	457	533	610	686	762	864	914	991	1067	1143	1245	1346	1524
300	L-L1	457	521	559	635	762	838	914	991	1092	1143	1245	1346	1397	1524
	L-L1	559	660	787	838	889	991	1092	1194	1295	1397	1448	1549	1651	1778
600	L2	562	664	791	841	892	994	1095	1200	1305	1407	1461	1562	1664	1794
	H	225	265	299	340	371	410	457	500	540	585	627	667	716	750
	H1	270	325	362	405	440	430	490	535	585	635	685	730	780	820
	D	345	425	485	560	620	695	792	870	950	1040	1115	1190	1280	1345
900	L	610	737	838	965	1029	1130	1219	1321	1422	1549	1729	1780	1890	2014
	L1	610	737	838	965	1029	1130	1219	1321	-	1549	1729	1700	1700	1884
	L2	613	740	841	968	1038	1140	1232	1334	-	1568	1751	1802	1912	2036
	H	225	265	320	355	378	426	495	520	562	585	655	694	737	781
	H1	270	325	380	425	450	455	500	560	615	635	715	770	815	855
D	345	425	525	595	635	735	805	910	995	1040	1165	1240	1330	1410	

ANSI Class150-600 Full Welding Ball Valve WB



Standards:

Design: API6D
 Face to Face: ANSI B16.10
 Flange: ANSI B16.5 AND API605
 BW: ASME B16.25
 Test and Inspect: API 598 OR API6D

Main Part Name and Material:

Body/Bonnet	Carbon Steel/Alloy Steel/Stainless Steel
Disc Seal	13CR/STL/SS304/SS316
Seat Seal	R-PTFE/Lylon/Peek
Stem	F6a/F304/F316

DN	900	1000	1050	1200
NPS	36"	40"	42"	48"
L-L1	2083	1900	2050	2180
H	828	910	994	1075
H1	895	950	1000	1105
D	1500	1660	1780	1980